

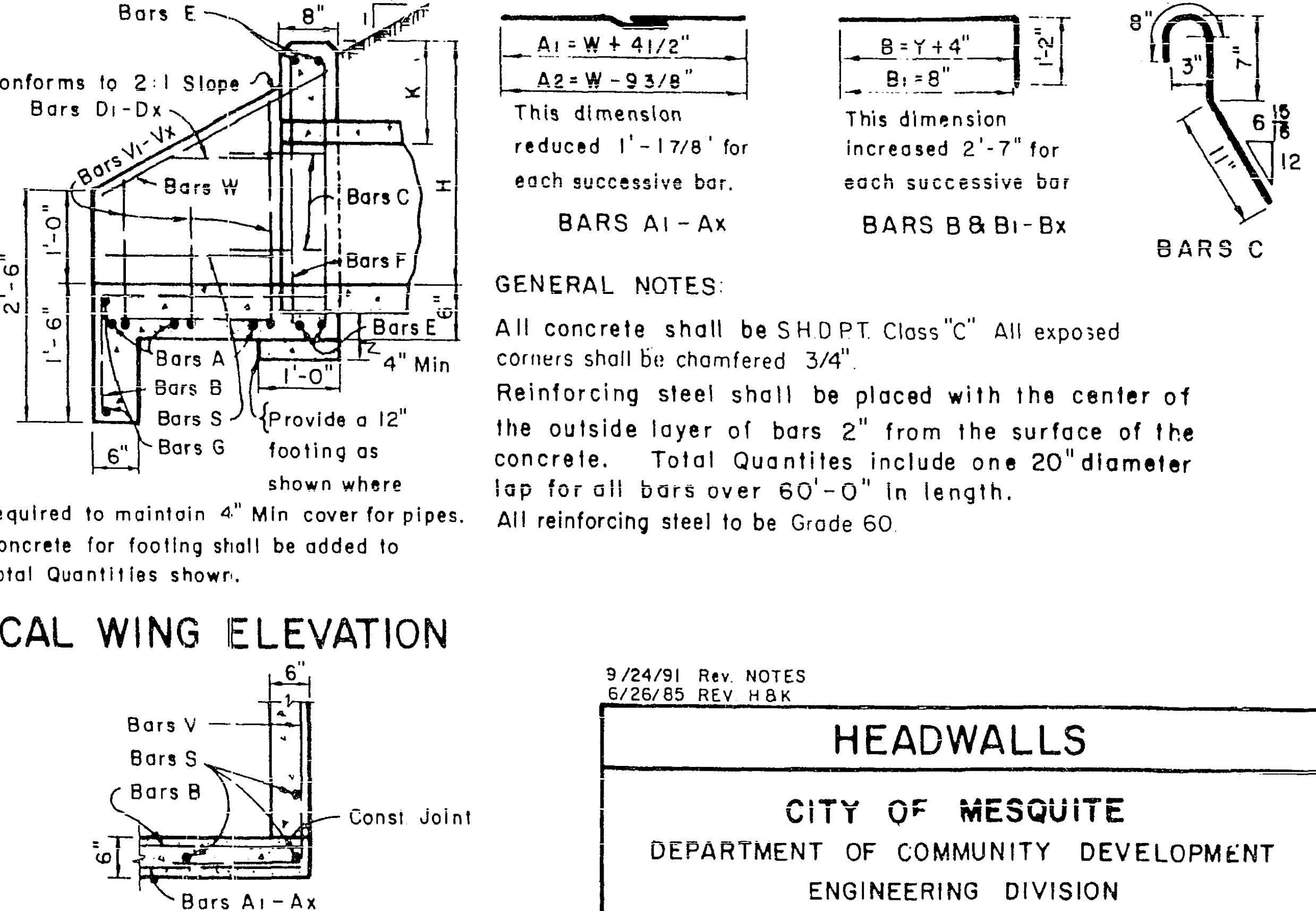
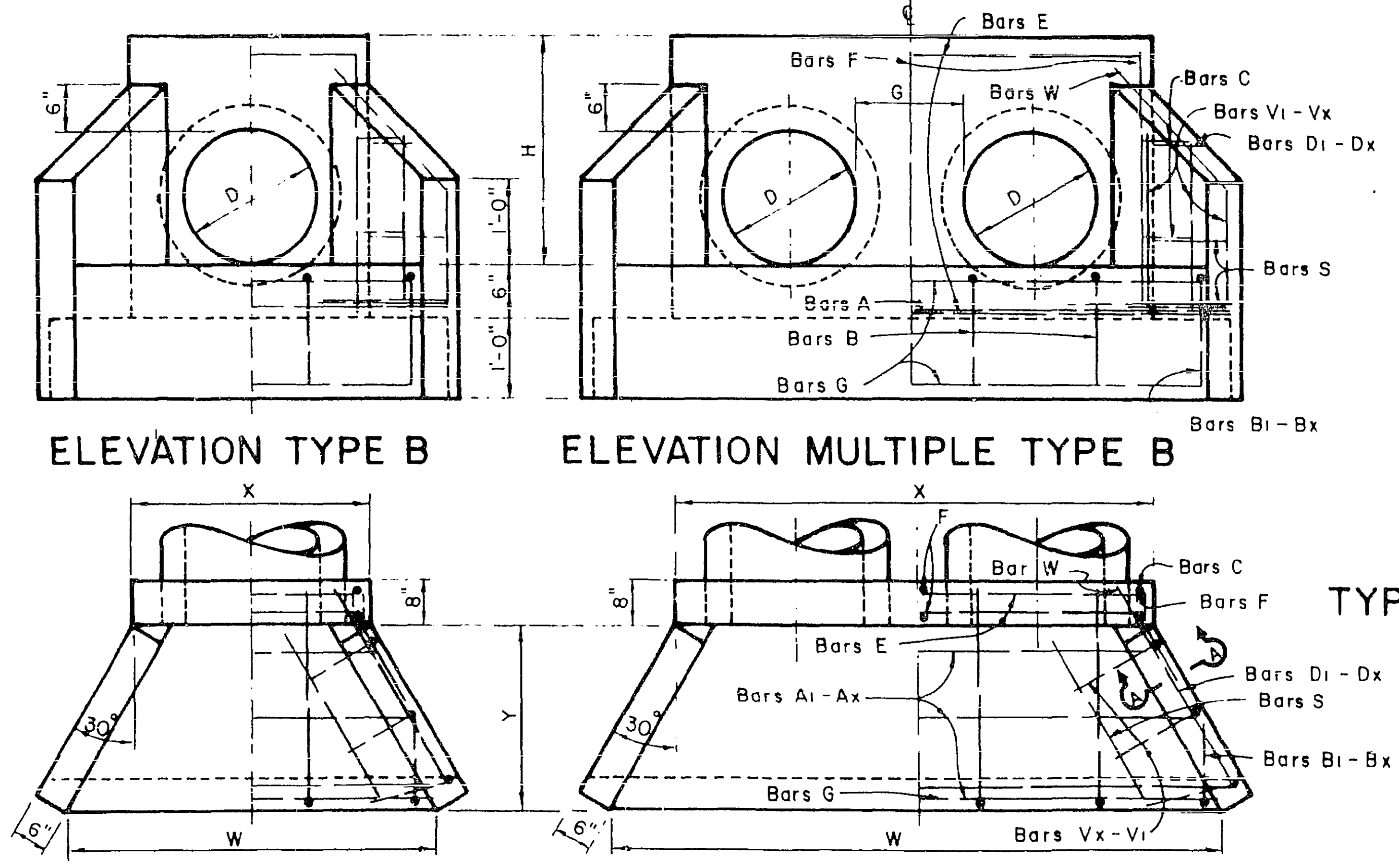
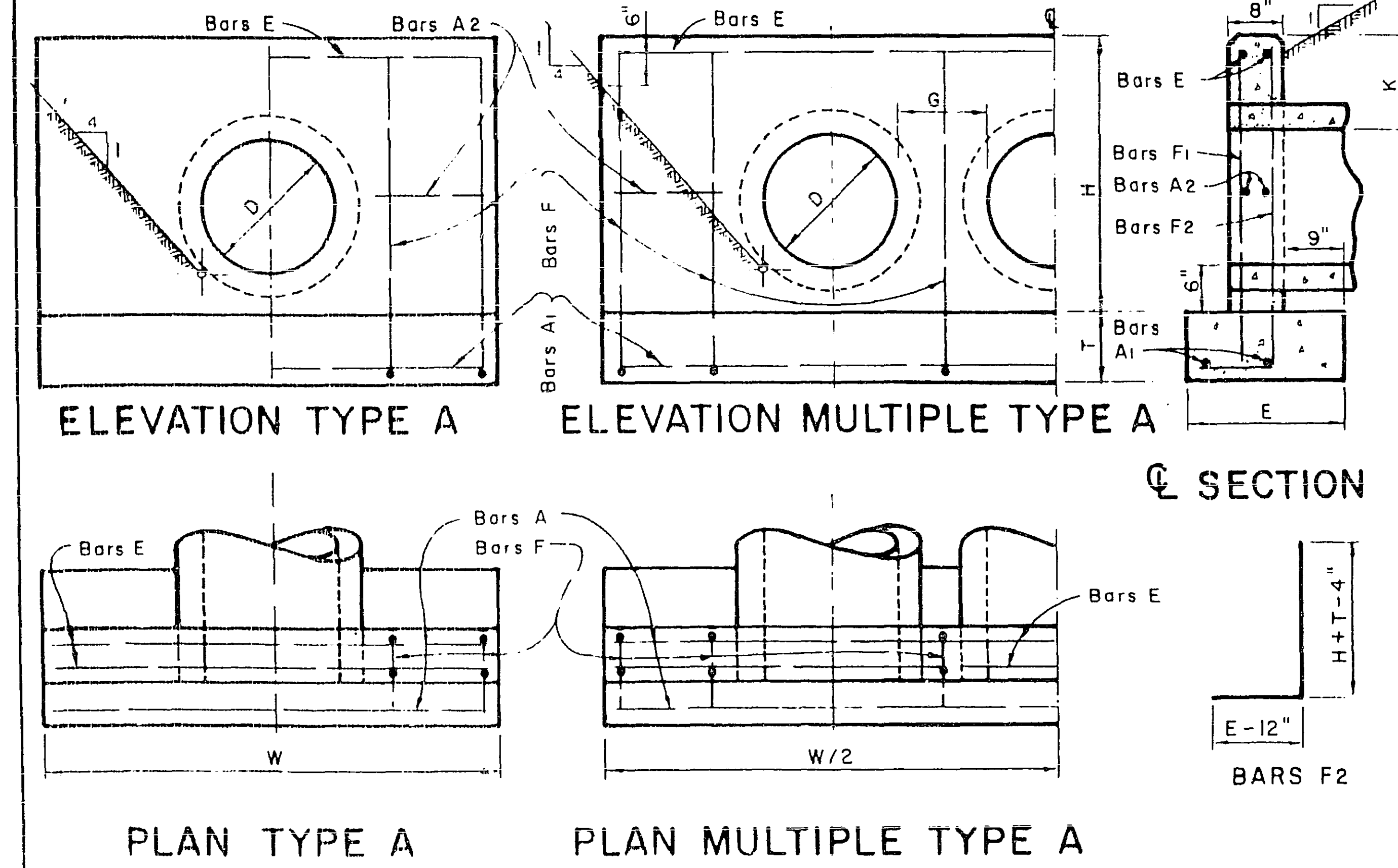
TABLE OF DIMENSIONS AND QUANTITIES FOR TWO TYPE A HEADWALLS

TABLE OF DIMENSIONS AND QUANTITIES FOR TWO TYPE B HEADWALLS

NO. OF PIPES	DIAM. OF PIPES	TABLE OF DIMENSIONS										REINFORCING STEEL AND QUANTITIES FOR TWO HEADWALLS				* TOTAL QUANTITIES					
		G	K	T	E	H	W	BARS A1 #4 at 12"		BARS A2 #3 at 18"		BARS E 4-#5		BARS F1 at 12"		BARS F2 at 12"		LBS.	C.Y.		
								Lgth.	Wt.	No.	Lgth.	Wt.	No.	Lgth.	Wt.	No.	Lgth.			Wt.	No.
1	12"	9"	1'-9"	7'-0"	6'-8"	10	8	2'-6"	8	6'-8"	28	12	4	2'-11"	23	12	4	3'-8"	29	98	1.48
2	15"	9"	1'-9"	8'-3"	7'-11"	12	8	3'-0"	9	7'-11"	33	12	4	3'-2"	25	12	4	3'-11"	31	110	1.82
3	18"	9"	1'-9"	9'-6"	9'-2"	14	8	3'-6"	11	9'-2"	38	22	4	3'-5"	46	20	4	4'-2"	56	165	2.19
4	24"	9"	2'-0"	12'-0"	11'-8"	18	8	4'-6"	14	11'-8"	49	24	4	3'-11"	63	24	4	4'-11"	79	223	3.17
1	30"	9"	2'-3"	14'-6"	14'-2"	21	16	5'-6"	33	14'-2"	59	28	4	4'-5"	83	28	4	5'-8"	106	302	4.31
2	36"	12"	2'-6"	17'-0"	16'-8"	25	16	6'-6"	39	16'-8"	70	32	4	5'-2"	111	32	4	6'-8"	143	388	6.40
3	42"	12"	2'-9"	19'-6"	19'-2"	29	16	7'-6"	45	19'-2"	80	36	4	5'-8"	136	36	4	7'-5"	178	468	8.10
4	48"	12"	3'-0"	23'-0"	22'-8"	34	24	8'-9"	79	22'-8"	95	40	5	6'-5"	268	40	5	8'-5"	351	827	10.74
1	54"	12"	3'-3"	25'-6"	25'-2"	38	24	9'-9"	88	25'-2"	105	44	5	6'-11"	318	44	5	9'-2"	421	970	12.87
2	60"	12"	3'-6"	28'-0"	27'-8"	42	24	10'-9"	97	27'-8"	115	48	5	7'-5"	371	48	5	9'-11"	497	1122	15.20
3	66"	12"	3'-9"	30'-6"	30'-2"	45	32	11'-9"	141	30'-2"	126	52	5	7'-11"	410	52	5	10'-8"	579	1321	17.72
4	72"	12"	4'-0"	33'-0"	32'-8"	49	32	12'-9"	153	32'-8"	136	56	5	8'-5"	492	56	5	11'-5"	667	1497	20.42
1	12"	9"	1'-9"	7'-0"	6'-8"	10	8	2'-6"	8	6'-8"	28	12	4	2'-11"	23	12	4	3'-8"	29	98	1.48
2	15"	9"	1'-9"	8'-3"	7'-11"	12	8	3'-0"	9	7'-11"	33	12	4	3'-2"	25	12	4	3'-11"	31	110	1.82
3	18"	9"	1'-9"	9'-6"	9'-2"	14	8	3'-6"	11	9'-2"	38	22	4	3'-5"	46	20	4	4'-2"	56	165	2.19
4	24"	9"	2'-0"	12'-0"	11'-8"	18	8	4'-6"	14	11'-8"	49	24	4	3'-11"	63	24	4	4'-11"	79	223	3.17
1	30"	9"	2'-3"	14'-6"	14'-2"	21	16	5'-6"	33	14'-2"	59	28	4	4'-5"	83	28	4	5'-8"	106	302	4.31
2	36"	12"	2'-6"	17'-0"	16'-8"	25	16	6'-6"	39	16'-8"	70	32	4	5'-2"	111	32	4	6'-8"	143	388	6.40
3	42"	12"	2'-9"	19'-6"	19'-2"	29	16	7'-6"	45	19'-2"	80	36	4	5'-8"	136	36	4	7'-5"	178	468	8.10
4	48"	12"	3'-0"	23'-0"	22'-8"	34	24	8'-9"	79	22'-8"	95	40	5	6'-5"	268	40	5	8'-5"	351	827	10.74
1	54"	12"	3'-3"	25'-6"	25'-2"	38	24	9'-9"	88	25'-2"	105	44	5	6'-11"	318	44	5	9'-2"	421	970	12.87
2	60"	12"	3'-6"	28'-0"	27'-8"	42	24	10'-9"	97	27'-8"	115	48	5	7'-5"	371	48	5	9'-11"	497	1122	15.20
3	66"	12"	3'-9"	30'-6"	30'-2"	45	32	11'-9"	141	30'-2"	126	52	5	7'-11"	410	52	5	10'-8"	579	1321	17.72
4	72"	12"	4'-0"	33'-0"	32'-8"	49	32	12'-9"	153	32'-8"	136	56	5	8'-5"	492	56	5	11'-5"	667	1497	20.42

NO. OF PIPES	DIAM. OF PIPES	TABLE OF DIMENSIONS										REINFORCING STEEL AND QUANTITIES FOR TWO HEADWALLS														* TOTAL QUANTITIES							
		G	K	X	H	Y	W	BARS A1-Ax #4 at 12"		BARS B #3 at 18"		BARS B1-Bx #3 at 18"		C=2'-0" #4 at 12"		BARS D1-Dx #3 at 12"		BARS E 8-#5		BARS F		BARS G 4-#3		BARS S 12-#4		BARS V1-Vx #4 at 12"		BARS W 4-#5		LBS.	C.Y.		
								No.	Lgth.	Wt.	No.	Lgth.	Wt.	No.	Lgth.	Wt.	No.	Lgth.	Wt.	No.	Lgth.	Wt.	No.	Lgth.	Wt.	No.	Lgth.	Wt.	No.			Lgth.	Wt.
1	12"	9"	1'-9"	2'-4"	1'-0"	2'-4"	2	2'-8"	4	6	2'-6"	6	4	5	4	5	2'-0"	17	8	4	2'-2"	12	2'-8"	4	8"	5	4	2'-11"	8	1'-8"	7	68	.52
2	15"	9"	1'-9"	4'-2"	1'-0"	4'-2"	4	4'-6"	8	8	4'-0"	8	8	8	8	8	3'-10"	32	12	4	2'-5"	13	3'-7"	5	1'-3"	10	8	3'-0"	16	2'-3"	9	101	.75
3	18"	9"	1'-9"	6'-0"	1'-0"	6'-0"	6	6'-4"	10	10	6'-0"	10	10	10	10	5'-8"	47	16	16	4	2'-5"	19	5'-10"	9	1'-3"	12	8	3'-0"	16	2'-3"	9	138	1.16
4	24"	9"	2'-0"	7'-10"	1'-0"	7'-10"	8	8'-2"	12	12	7'-10"	12	12	12	12	7'-6"	63	20	20	4	2'-5"	32	8'-2"	12	1'-3"	16	8	3'-0"	16	2'-3"	9	174	1.57
1	30"	9"	2'-3"	4'-0 1/2"	2'-0"	4'-0 1/2"	4	5'-10"	10	10	5'-10"	10	10	10	10	6'-9"	75	20	20	4	2'-8"	24	4'-5"	7	1'-10"	15	12	3'-2"	25	2'-11"	12	129	1.00
2	36"	12"	2'-6"	5'-5 1/2"	2'-0"	5'-5 1/2"	6	6'-10"	14	14	6'-10"	14	14	14	14	7'-6"	88	24	24	4	2'-8"	24	7'-11"	11	1'-10"	15	12	3'-2"	25	2'-11"	12	172	1.55
3	42"	12"	2'-9"	7'-0 1/2"	2'-0"	7'-0 1/2"	8	8'-10"	18	18	8'-10"	18	18	18	18	8'-9"	102	30	30	4	2'-8"	24	9'-9"	12	1'-10"	15	12	3'-2"	25	2'-11"	12	219	2.11
4	48"	12"	3'-0"	8'-3 1/4"	2'-0"	8'-3 1/4"	10	10'-0"	22	22	10'-0"	22	22	22	22	9'-7"	116	40	40	4	2'-8"	24	11'-11"	15	1'-10"	15	12	3'-2"	25	2'-11"	12	264	2.65
1	54"	12"	3'-3"	9'-3 3/4"	2'-0"	9'-3 3/4"	12	12'-0"	26	26	12'-0"	26	26	26	26	10'-7"	130	50	50	4	2'-8"	24	13'-5"	19	1'-10"	15	12	3'-2"	25	2'-11"	12	316	3.32
2	60"	12"	3'-6"	11'-0 3/4"	2'-0"	11'-0 3/4"	14	14'-0"	30	30	14'-0"	30	30	30	30	11'-5"	144	60	60	4	2'-8"	24	15'-3"	24	1'-10"	15	12	3'-2"	25	2'-11"	12	388	4.18
3	66"	12"	3'-9"	12'-7 5/8"	2'-0"	12'-7 5/8"	16	16'-0"	34	34	16'-0"	34	34	34	34	12'-3"	158	70	70	4	2'-8"	24	16'-3"	24	1'-10"	15	12	3'-2"	25	2'-11"	12	454	4.80
4	72"	12"	4'-0"	14'-6 3/8"	2'-0"	14'-6 3/8"	18	18'-0"	38	38	18'-0"	38	38	38	38	13'-9"	172	80	80	4	2'-8"	24	18'-5"	31	1'-10"	15	12	3'-2"	25	2'-11"	12	532	6.04

★ Quantities and Bar lengths shown - Assume K=12" for pipes 42" or smaller in diameter and K=15" for pipes 48" or larger in diameter.



$A1 = W + 41/2"$   
 $A2 = W - 93/8"$   
 $B = Y + 4"$   
 $B1 = 8"$

This dimension reduced 1'-17/8" for each successive bar.

This dimension increased 2'-7" for each successive bar.

BARS A1-Ax      BARS B & B1-Bx      BARS C

GENERAL NOTES:

All concrete shall be SHDPT. Class "C". All exposed corners shall be chamfered 3/4".

Reinforcing steel shall be placed with the center of the outside layer of bars 2" from the surface of the concrete. Total Quantities include one 20" diameter lap for all bars over 60'-0" in length.

All reinforcing steel to be Grade 60.

9/24/91 Rev. NOTES  
6/26/85 REV H8K

**HEADWALLS**

CITY OF MESQUITE  
DEPARTMENT OF COMMUNITY DEVELOPMENT  
ENGINEERING DIVISION

**STANDARD DETAILS**

Design	Drawn	Date	Scale	Notes	File	Sheet
			As Noted		01-5827	23-22

\* Concrete Quantities increase slightly for metal pipe installations